

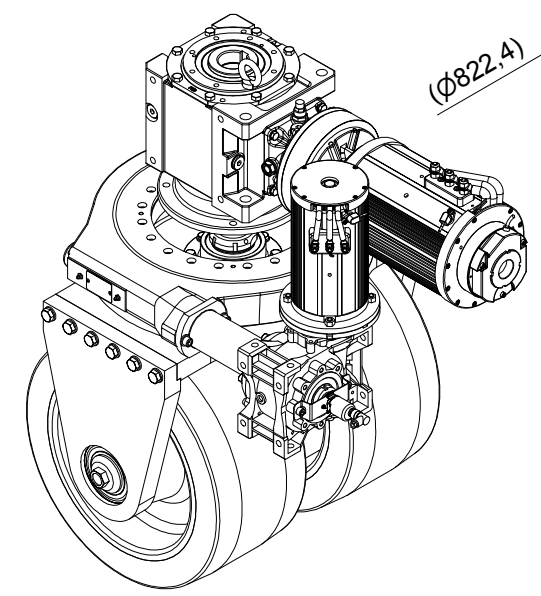
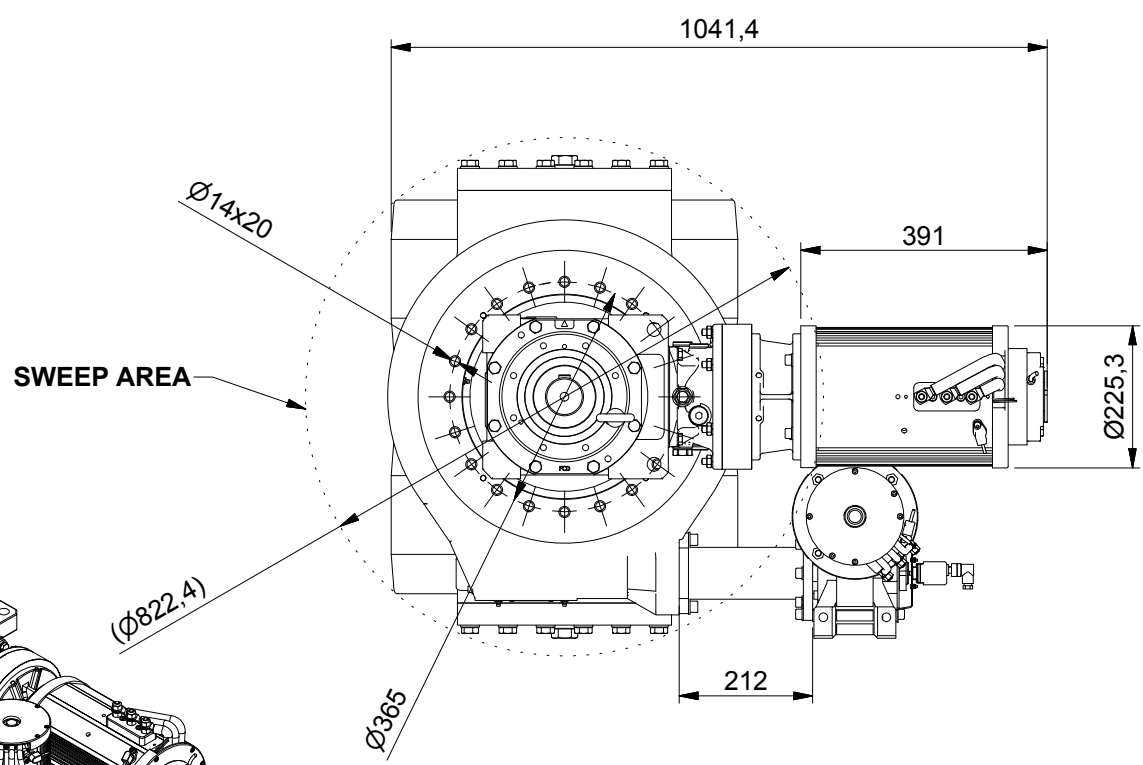
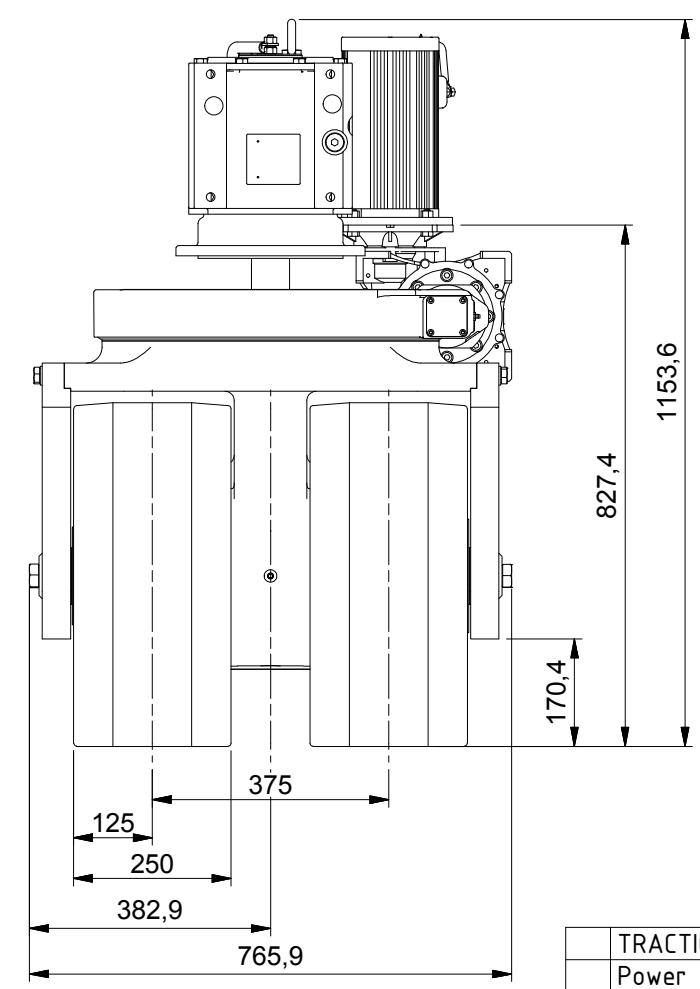
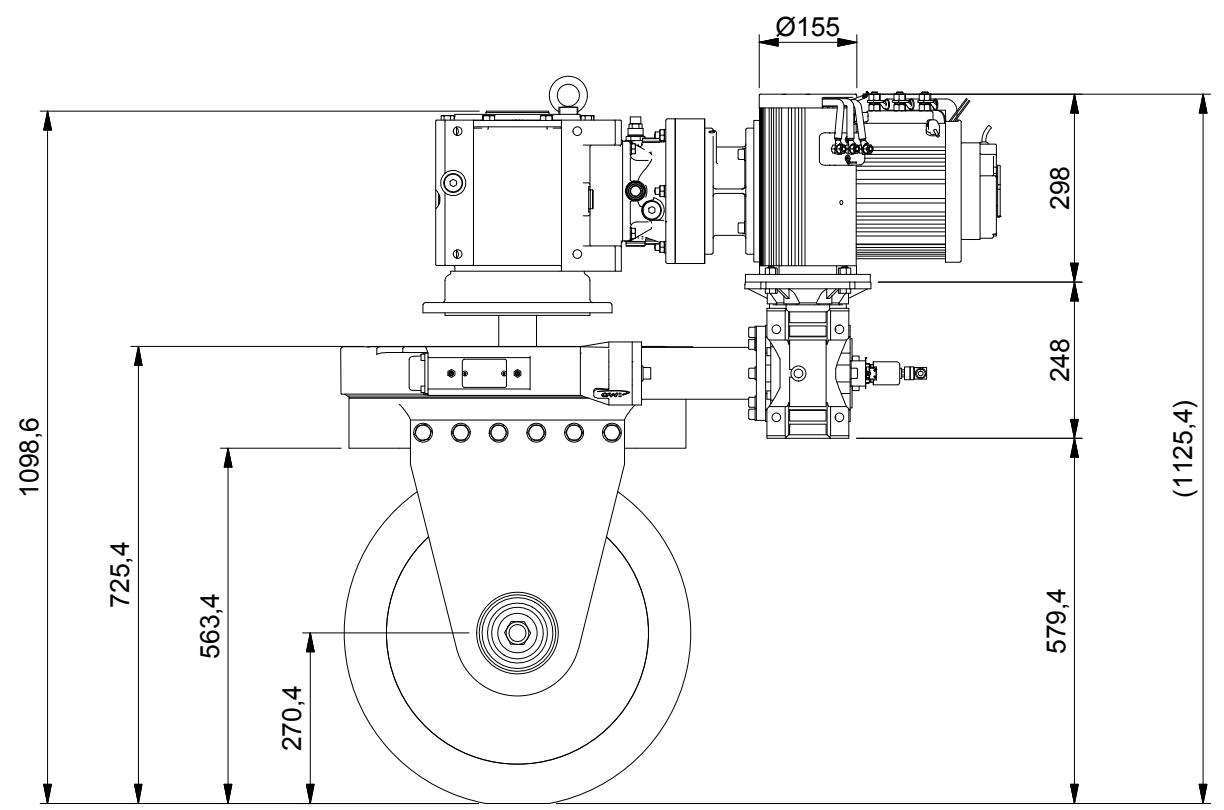
6 5 4 3 2 1

D

C

B

A



TRACTION MOTOR DATA		
Power	W	5000
Battery voltage	V	48
Speed	rpm	2850
Frequency	Hz	100
Torque	Nm	
Enclosure	IP	20
Brake torque	Nm	
TRACTION GEAR DATA		
Max input motor power		
Gear ratio	i	164
Max accel. and braking torque	Nm	6000
Nominal wheel torque	Nm	1400
Max load on wheel	kg	20000
STEERING GEAR MOTOR DATA		
Power	W	2500
Battery voltage	V	48
Speed	rpm	1500
Frequency	Hz	50
Torque	Nm	
Enclosure	IP	20
Motor torque	Nm	6,7
Gear ratio		

No	QTY	NAME OF DETAIL					DRAWING NUMBER		REV
Designed Johnny	Detailed P Nordstedt	Designed by company AIT	Checked	Stand. ISO	Approved	Scale	Replace	Replaced by	
 AIT DESIGN INC, WA (425) 398-7329 CORPORATE HEADQUARTERS, PLANO: TX (972) 423-8354							Filnamne	Date 2005-08-30	
							Drawing no 013-0000 B	Revision NEW	

PROPRIETARY
THIS DRAWING IS THE SOLE PROPERTY OF AIT DESIGN INC. AND IS LOANED SUBJECT TO RETURN UPON DEMAND. REPRODUCTION, DISCLOSURE OR USE BY WRITTEN PERMISSION ONLY.

6 5 4 3 2 1